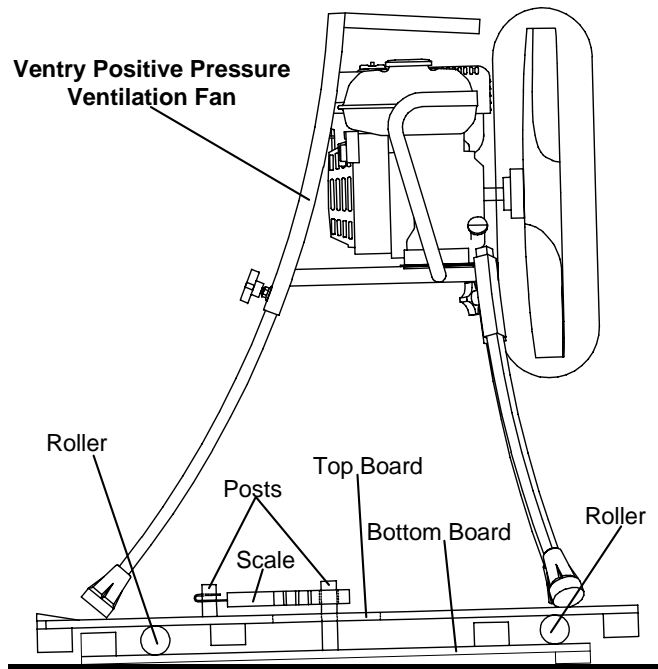


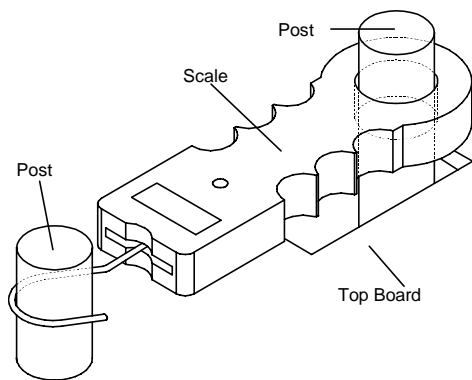


POSITIVE PRESSURE VENTILATION FANS THRUST MEASURING DEVICE



Directions:

1. Place bottom board on a flat surface with lots of room around it.
2. Place rollers on the board in front of the 2x2s.
3. Place the top board on the rollers.
4. Push the top board all the way rearward to trap the rollers between the 2x2s. This aligns the rollers.
5. Roll the top board all the way forward until the 2x2s stop its forward motion.
6. Place the scale on the posts.
7. Set the fan on the thrust machine.
8. Zero the scale by pushing the on/set button.
9. Start the fan.
10. Read the scale before the automatic shut-off turns the scale off.
11. To approximate the volume of air being pushed, multiply pounds of thrust by a little over a thousand cubic feet/pound. As a rule of thumb, you should have 11-15 pounds of thrust for residential fires, 15-18 pounds for commercial fires, and 18+ for industrial fires.



J. Neils Enterprises, Inc.
 14128 N Hauser Lake Rd
 Hauser, ID 83854
 (888) 257-8967
 Fax (208) 777-0360

